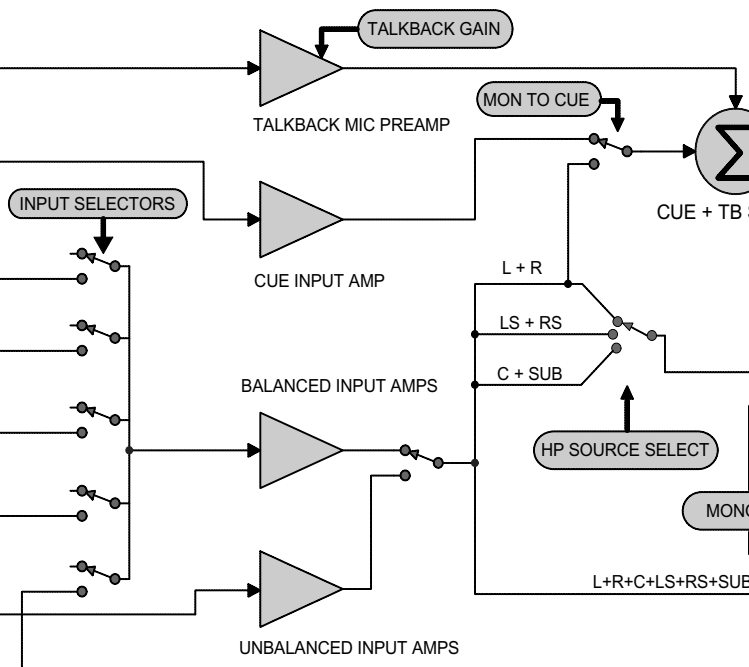
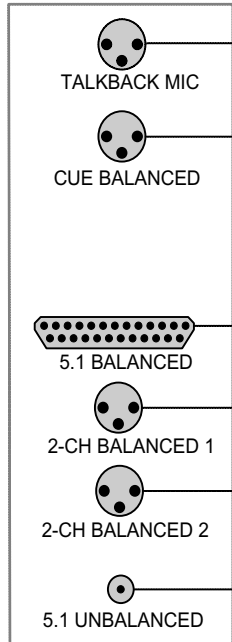
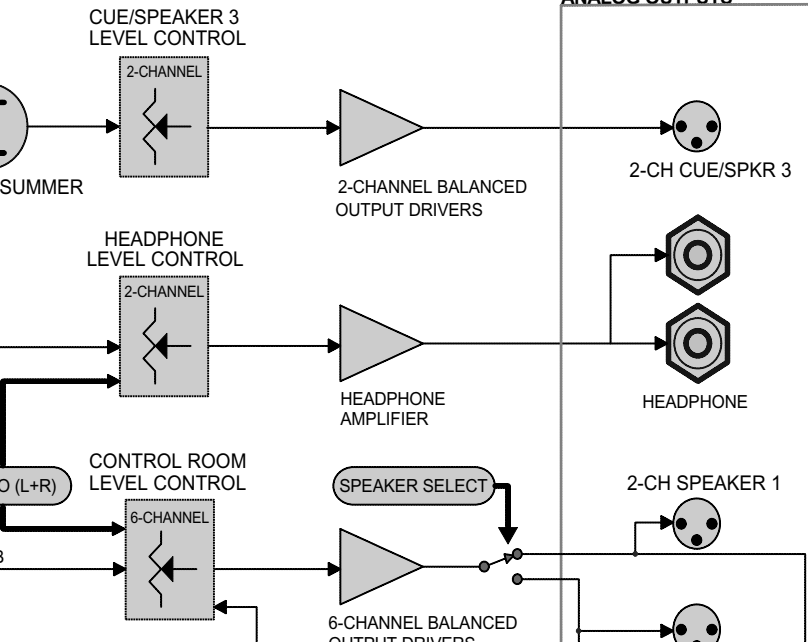


ANALOG INPUTS



ANALOG OUTPUTS



DIGITAL INPUTS

